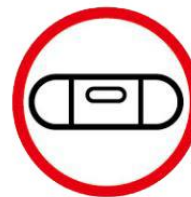
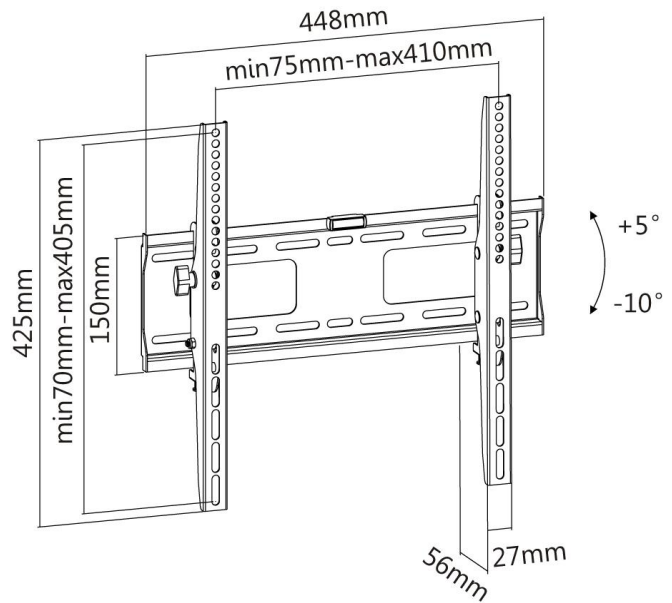


reflecta PLANO Flat 55-4040T



Product information:

- Universal and tiltable TV mount
- Max. loading weight 50 kg
- Vesa: 200x200, 300x300, 400x200, 400x400
- 32-55" (81-140 cm)
- Tilt: +5°/-10°
- Profile: 56 mm
- Water level

Code.: 23095
 EAN: 4005039230950

Specifications subject to change without prior notice.



reflecta gmbh

Merkurstrasse 8
 D-72184 Eutingen

Phone: +49 (0) 7457 9465-60

Fax: +49 (0) 7457 9465-72

e-mail: mail@reflecta.de

http: www.reflecta.de