



BT332

SPEAKER WALL MOUNTS (PAIR)

WITH TILT AND SWIVEL

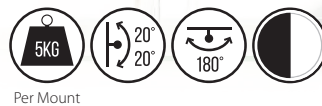
Designed to mount home cinema speakers to the wall, the BT332 is a compact and effective solution that provides a tilt and swivel adjustment to direct the sound to the desired location. Now compatible with the popular SONOS® Brand of wireless "smart speaker" systems, the BT332 is a current solution for the most modern speakers on the market.

SPECIFICATION

Max load	5kg
Tilt Adjustment	+/-20°
Swivel	180°
Distance from wall	72mm
Distance between dual fixing points	51mm - 67mm
Colour	Black, White

FEATURES

- Designed for home cinema speakers up to 5kg (11 lbs)
- Thumbwheel for easy adjustment of tilt: +/-20° and swivel: 180°
- Includes adaptors for keyhole, single point and dual point fixings
- Suitable for speakers using M5, M6, UNC 1/4" and wood screws
- Mounts speaker only 72mm (2.8") from wall
- No visible wall fixing screws
- Simple 'hook-on' installation with all mounting hardware included
- Compatible with SONOS® Play:1 and Play:3 speakers (in portrait mode)
- Supplied in pairs
- Patented design



Per Mount



Simple 'hook-on' installation



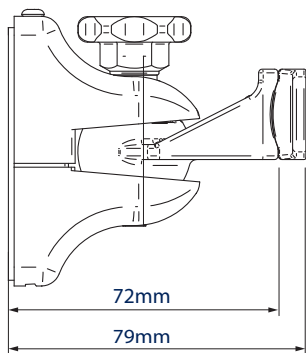
Includes optional dual point adaptor



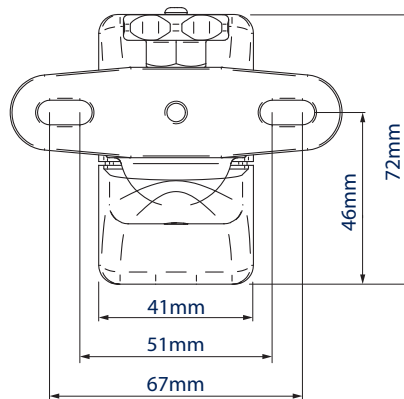
Thumbwheel for easy tilt and swivel adjustment



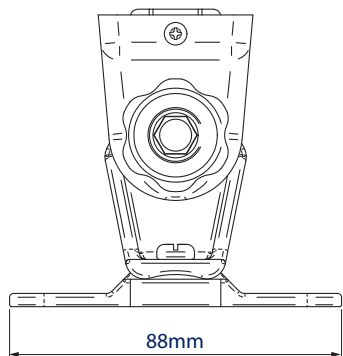
Supplied in pairs



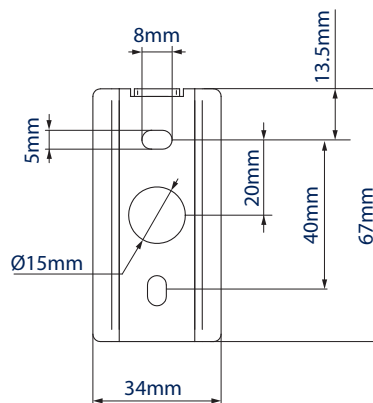
SIDE VIEW



FRONT VIEW



TOP VIEW



WALL PLATE

PACKING INFORMATION

COLOUR:	ORDER REF:	EAN CODE:	MASTER CARTON WEIGHT:	MASTER CARTON CUBE:
Black	BT332/B	5019318041006	10.68kg	0.023cbm
White	BT332/W	5019318043215	10.68kg	0.023cbm

ACCESSORIES AND RELATED PRODUCTS



BT11
Speaker Floor Stands with Die-Cast Base compatible with SONOS Play:1 speakers



BT77
Side Clamping Loudspeaker Wall Mount with tilt and swivel



BT608
Loudspeaker Floor Stands compatible with SONOS Play:1 speakers



BT914
Universal Soundbar Mount compatible with SONOS Playbar

© 2018 B-Tech Professional Limited. All rights reserved. The information in this specification is current technical specifications at the time of print. We reserve the right to change the technical or physical specifications without notice. The B-Tech name and logo are registered trademarks of B-Tech Professional Limited. Other product names and logos are trademarks or registered trademarks of their respective owners. All B-Tech images and symbols are exclusive to B-Tech Professional Limited. Any reproduction or distribution of this document without the express written permission of B-Tech Professional Limited is strictly prohibited. SS-BT332-V2-010318