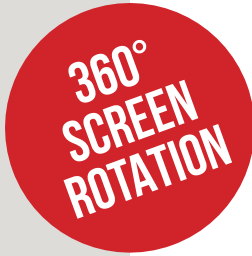




BT7512

SINGLE ARM FLAT SCREEN WALL MOUNT WITH TILT & SWIVEL



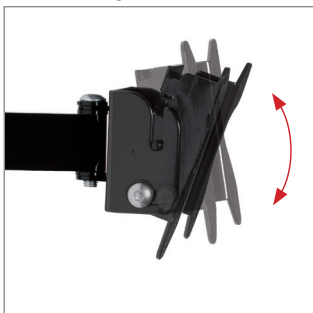
Designed to mount small flat screens, the BT7512 features a single swivel arm with easy tilt adjustment and a full 360° screen rotation for easy portrait or landscape mounting. The wall plate features 'OWLS' on wall levelling system to ensure a straight and smart installation. The BT7512 is also compatible with B-Tech's range of poles and collars, increasing the number of different ways it can be mounted, ideal for commercial applications as well as home installations. Security screws are provided to help prevent unauthorized removal of the screen.

SPECIFICATION

| | |
|-------------------------|------------------------|
| Recommended screen size | up to 28" |
| Max load | 15kg |
| VESA® compatibility | up to 100 x 100 |
| Tilt adjustment | +17 / -10° |
| Swivel | 180° |
| Rotation | 360° |
| Distance from wall | Min: 75mm - Max: 280mm |
| Colour | Piano Black |

FEATURES

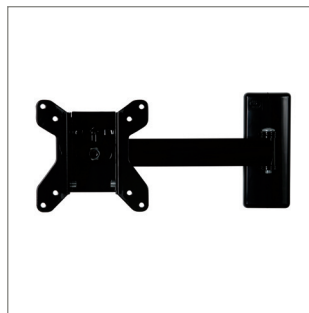
- Easy tilt and swivel adjustment
- Screen rotation allows screen to be mounted in landscape or portrait orientation
- Features 'OWLS' On Wall Levelling System
- CLIPLOGIC™ cable management included
- Compatible with B-Tech System 2 professional range
- Mounts to B-Tech BT7850 poles using x2 BT7841 / BT7052 Collars
- Security locking screws and Allen key provided help prevent unauthorised removal of the screen
- Simple 'hook-on' installation
- Coverplates included for a neat and tidy installation
- All mounting hardware included



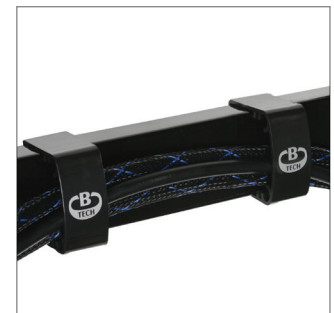
Easy tilt adjustment of +17° / -10°



Security locking screws provided

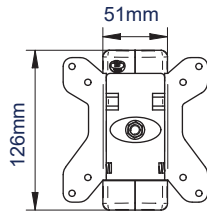


Space saving design - folds flat to the wall

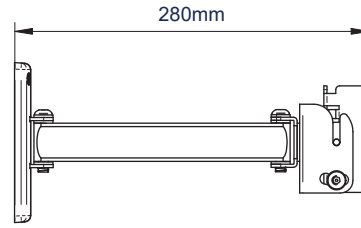


CLIPLOGIC™ cable management

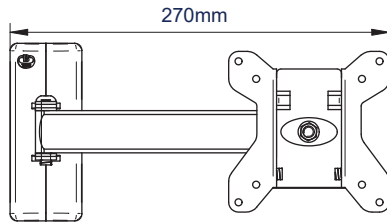




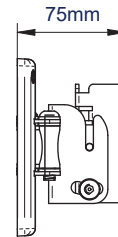
FRONT VIEW - MAXIMUM EXTENSION



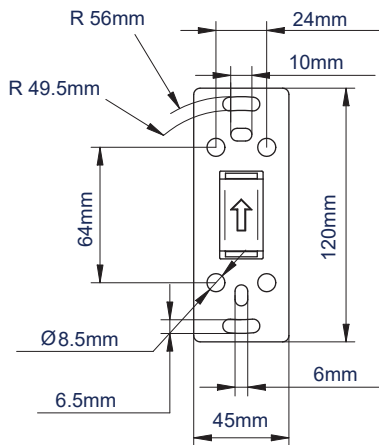
SIDE VIEW - MAXIMUM EXTENSION



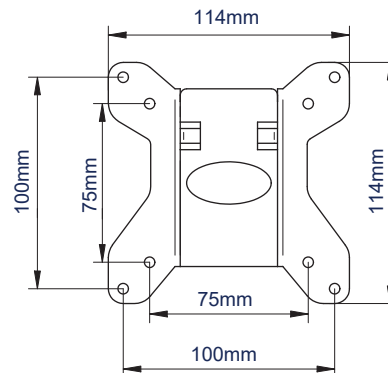
FRONT VIEW - FOLDED TO WALL



SIDE VIEW - FOLDED TO WALL



WALL PLATE - FRONT VIEW



INTERFACE PLATE - FRONT VIEW

PACKING INFORMATION

| COLOUR: | ORDER REF: | EAN CODE: | MASTER CARTON QTY: | INNER CARTON QTY: | MASTER CARTON WEIGHT: | MASTER CARTON CUBE: |
|-------------|---------------|---------------|--------------------|-------------------|-----------------------|---------------------|
| Piano Black | BT7512-PRO/PB | 5019318751226 | 8 | 0 | 9.3kg | 0.024cbm |

RELATED PRODUCTS AND ACCESSORIES OF THE BT7512

| | | | |
|----------------------|----------------------|----------------------|----------------------|
| <p>BT7513</p> | <p>BT7514</p> | <p>BT7542</p> | <p>BT7841</p> |
|----------------------|----------------------|----------------------|----------------------|

Double Arm Flat Screen Wall Mount with Tilt & Swivel for screens up to 28"

Single Arm Flat Screen Wall Mount with Tilt & Swivel for screens up to 47"

VESA Adaptor arms converts 100 x 100mm to 200 x 100mm

2 x Accessory Collars attaches the mount to Ø50mm poles

© 2016 B-Tech Limited. B-Tech is a registered trademark of B-Tech. All rights reserved. The information in this specification is for reference only. B-Tech reserves the right to change the technical specifications without prior notice. B-Tech and the B-Tech logo are registered trademarks of B-Tech International Design Administration Pty Ltd. B-Tech is not liable for loss or damage caused by improper installation or mounting on unsuitable structures. Any reproduction or transmission or replication of any part of this specification is strictly prohibited unless prior written permission has been granted by B-Tech International Ltd. (BTL).

SS-BT7512-V2-240117 European Trademark Number: 00171 3280-0005